

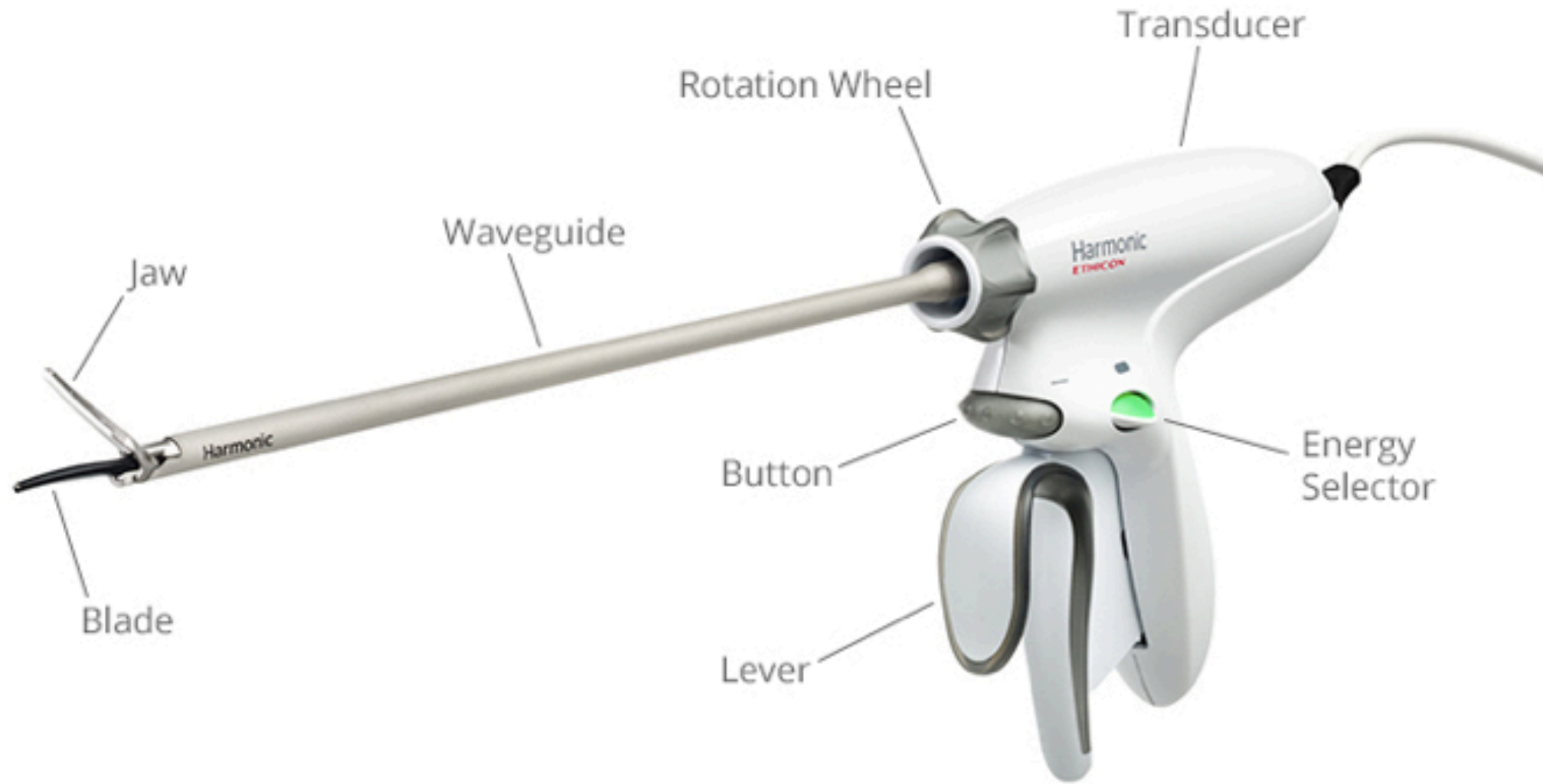
Ethicon



Source: <http://www.twomeyconsulting.com/ultrasonic-vessel-sealing-dissection-devices/>

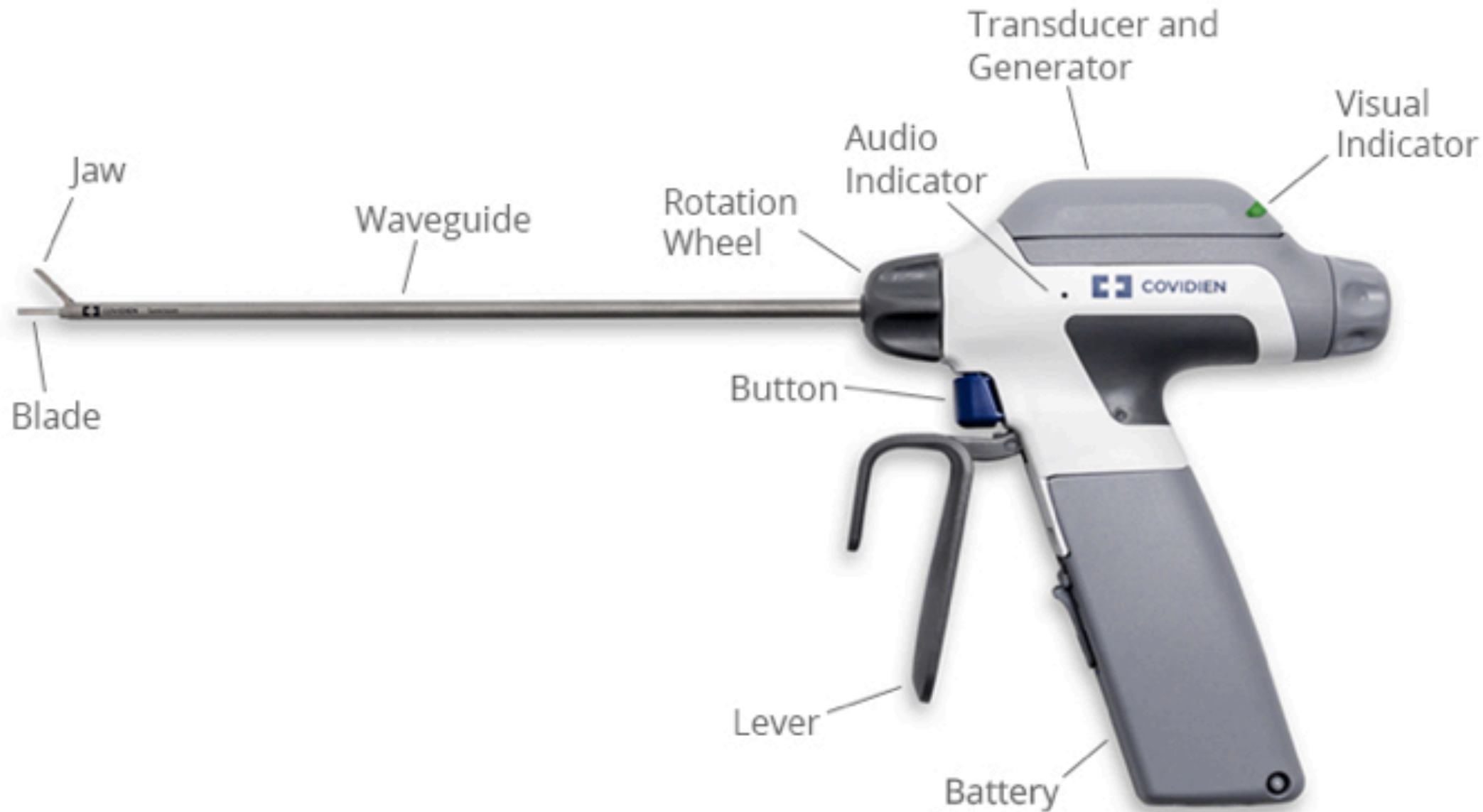
# Explanation of the technology

- <https://youtu.be/dR0H9no9yME>



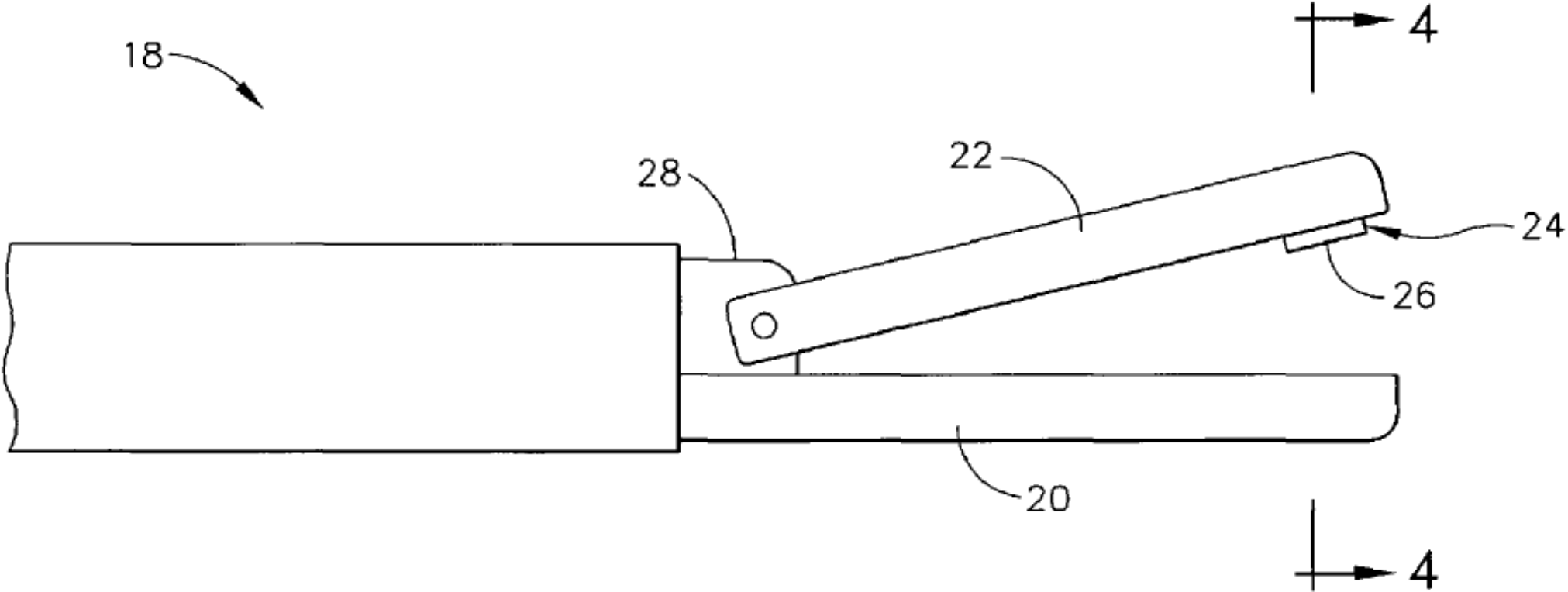
Typical Components of Ultrasonic Vessel Sealing and Dissection Devices<sup>[1]</sup>

Source: <http://www.twomeyconsulting.com/ultrasonic-vessel-sealing-dissection-devices/>



Typical Components of Cordless Ultrasonic Vessel Sealing and Dissection Devices<sup>[2]</sup>

US8182501



US8182501

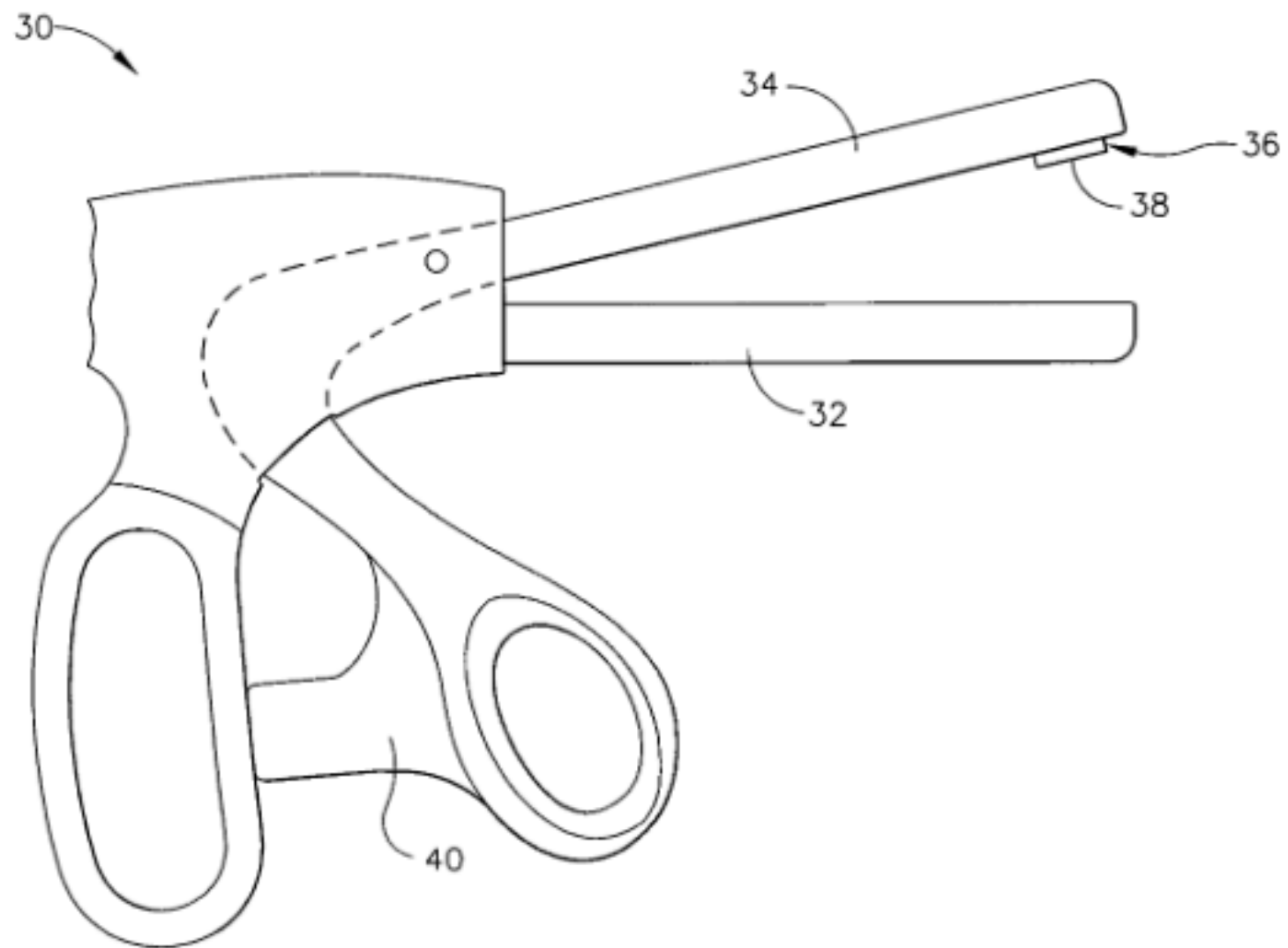
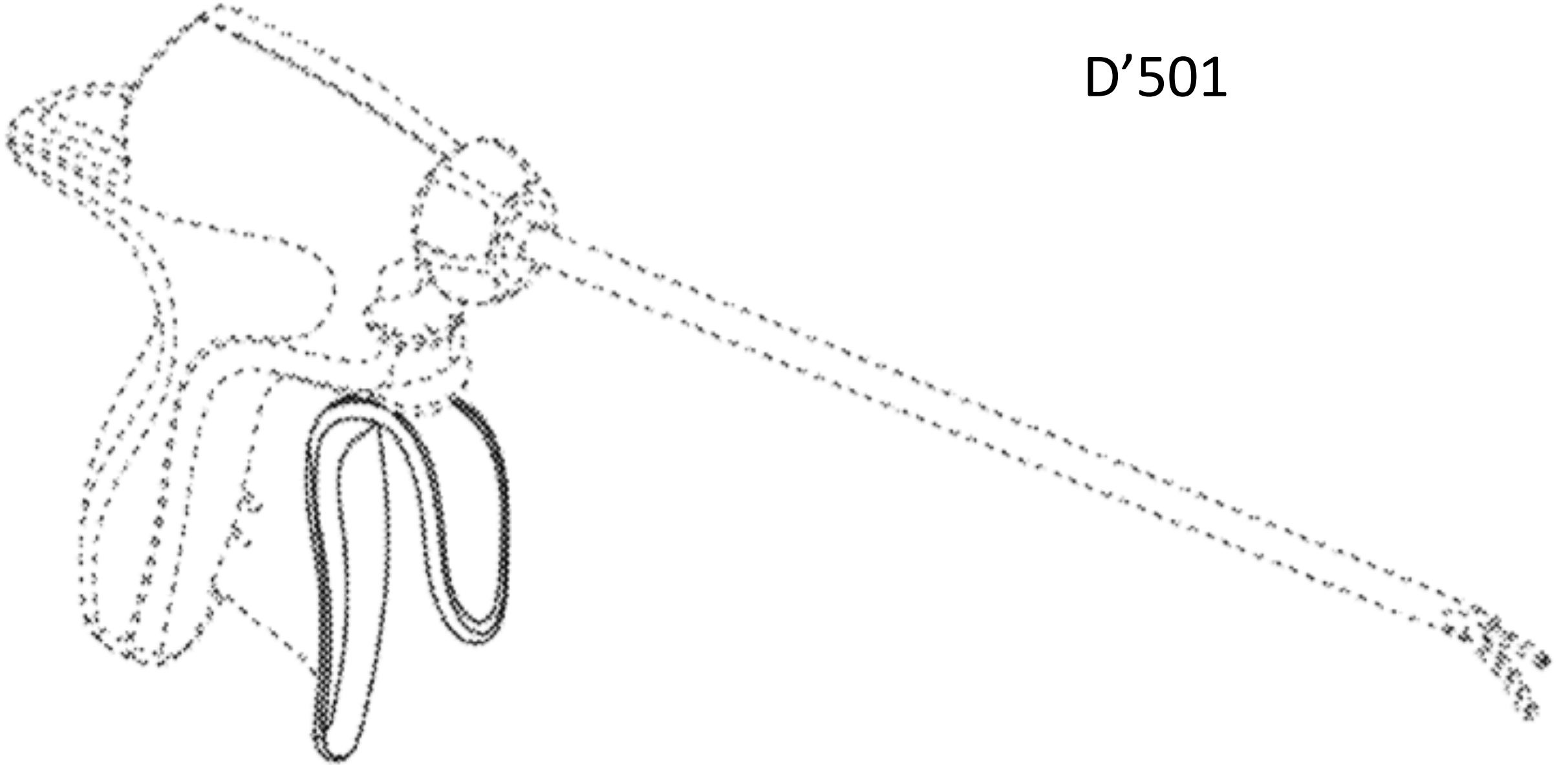


FIG. 3

D'501





D'504

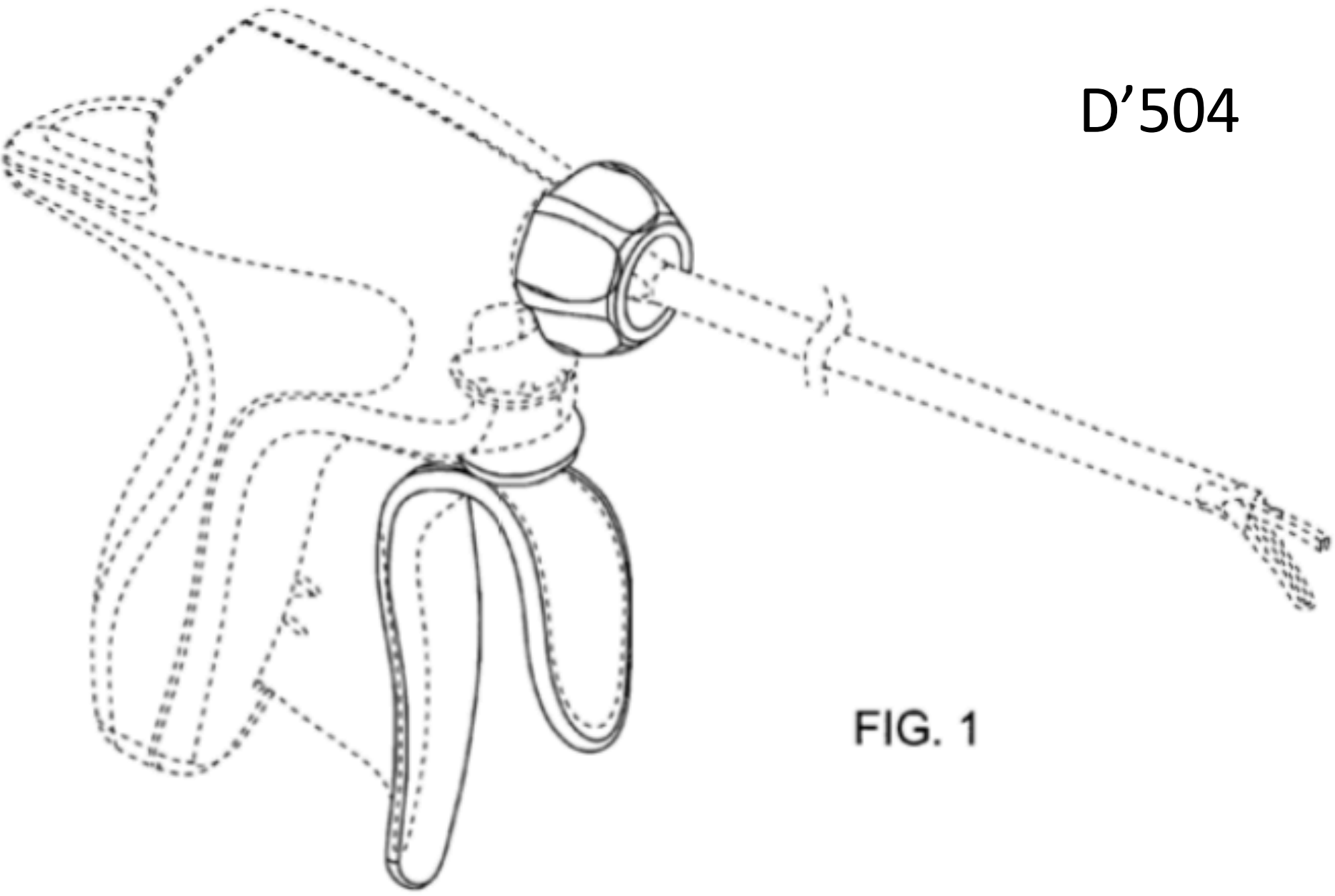


FIG. 1