

# Miken v. Wilson Sports

CAFC 2008

FIG. 1

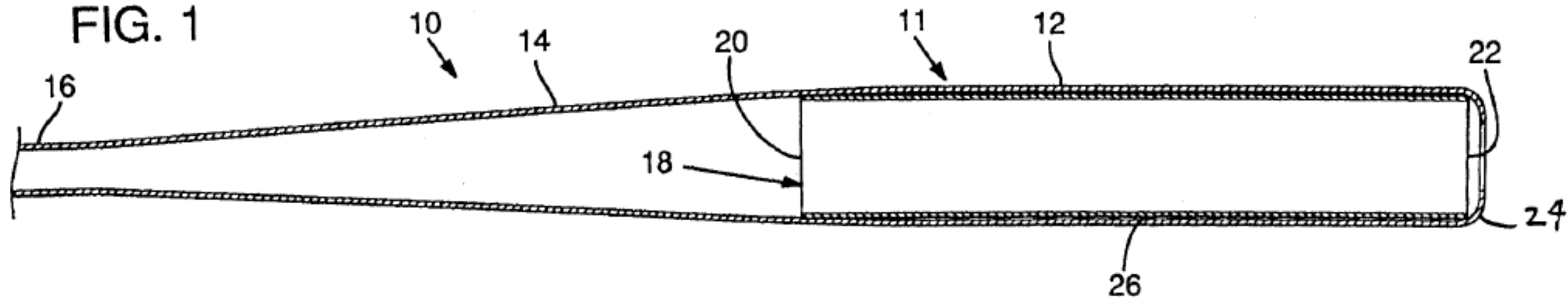


FIG. 2

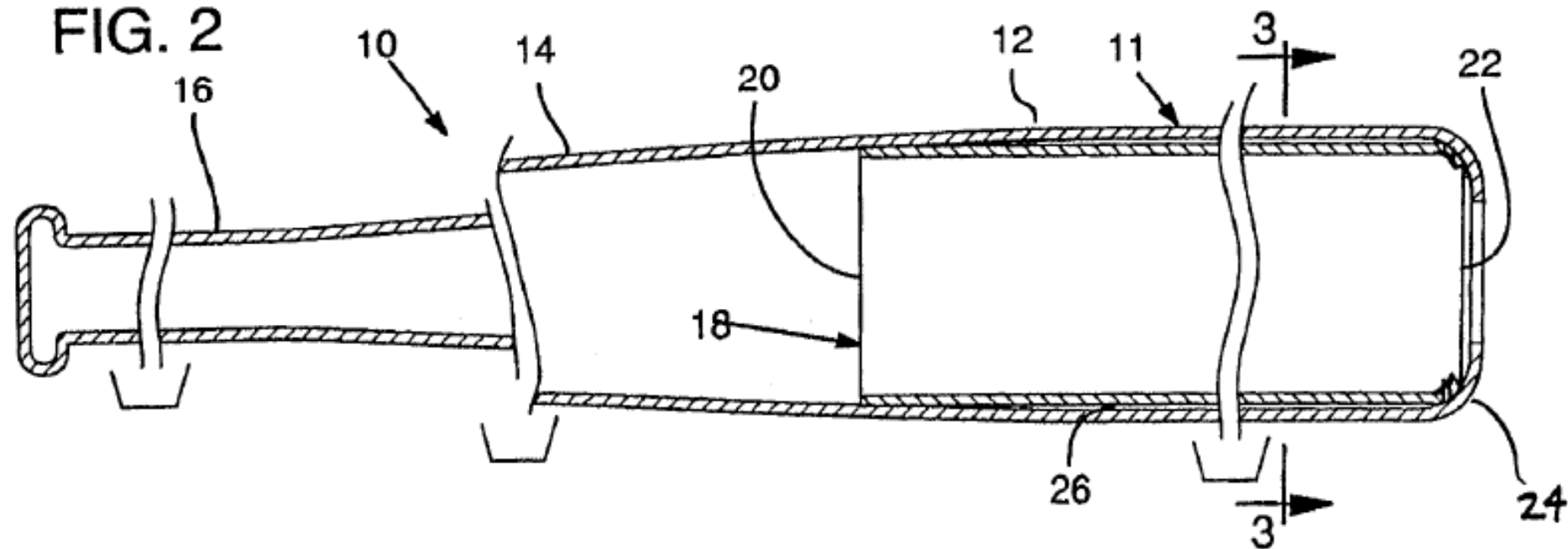


FIG. 3

